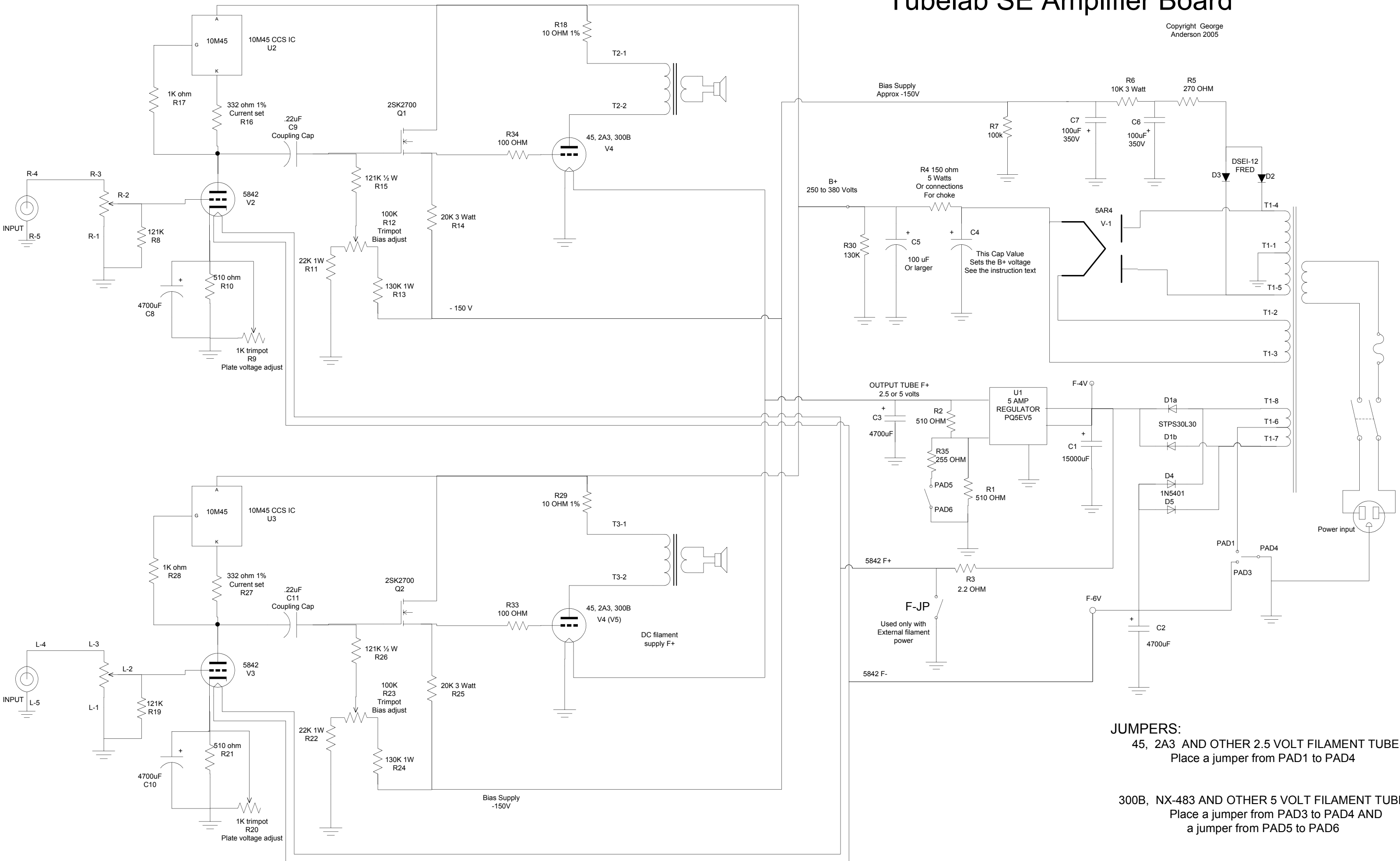


Tubelab SE Amplifier Board

Copyright George Anderson 2005



JUMPERS:
 45, 2A3 AND OTHER 2.5 VOLT FILAMENT TUBES
 Place a jumper from PAD1 to PAD4

300B, NX-483 AND OTHER 5 VOLT FILAMENT TUBES
 Place a jumper from PAD3 to PAD4 AND
 a jumper from PAD5 to PAD6