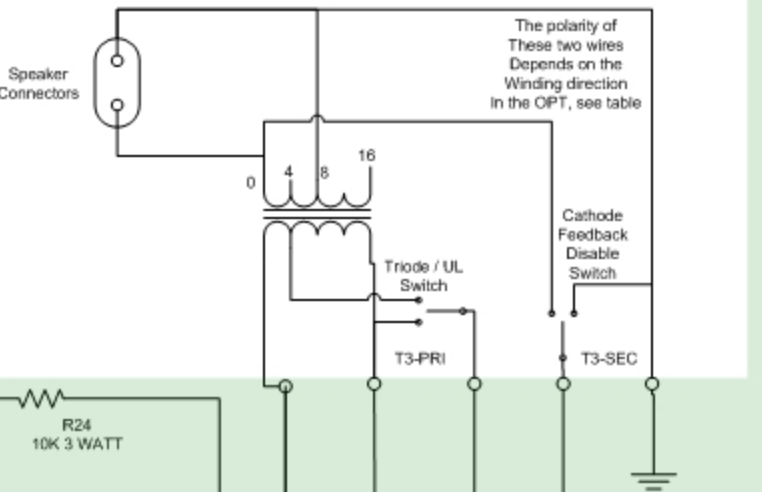
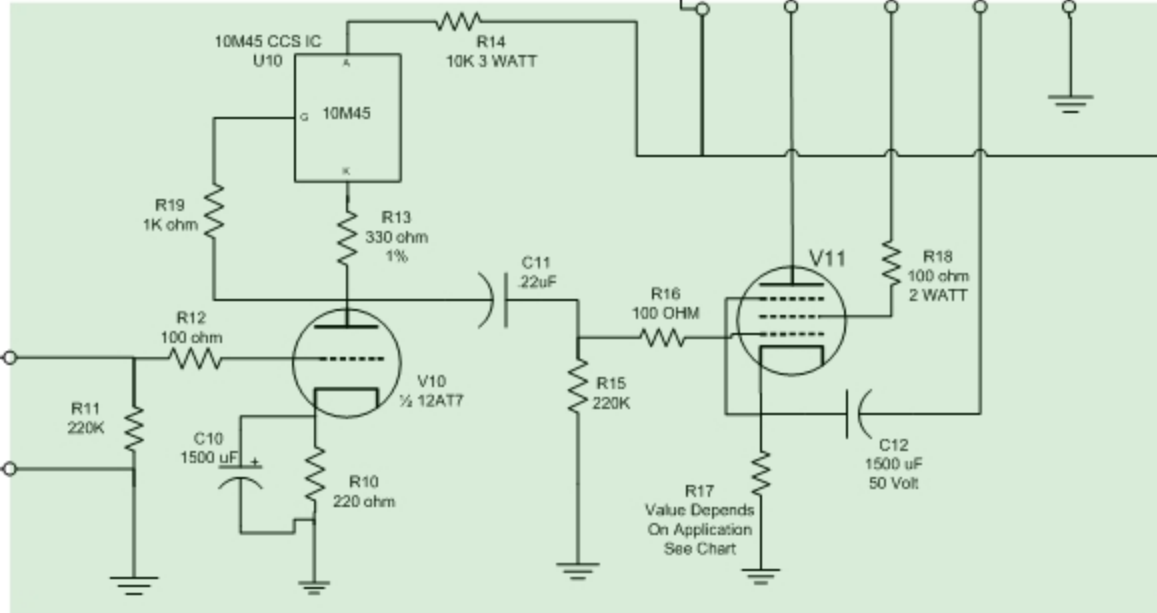
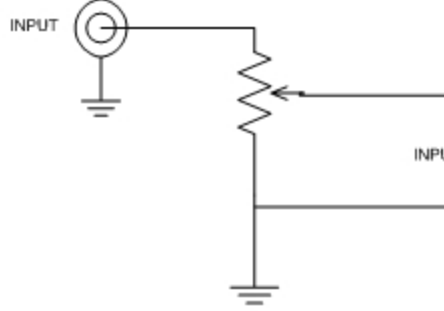
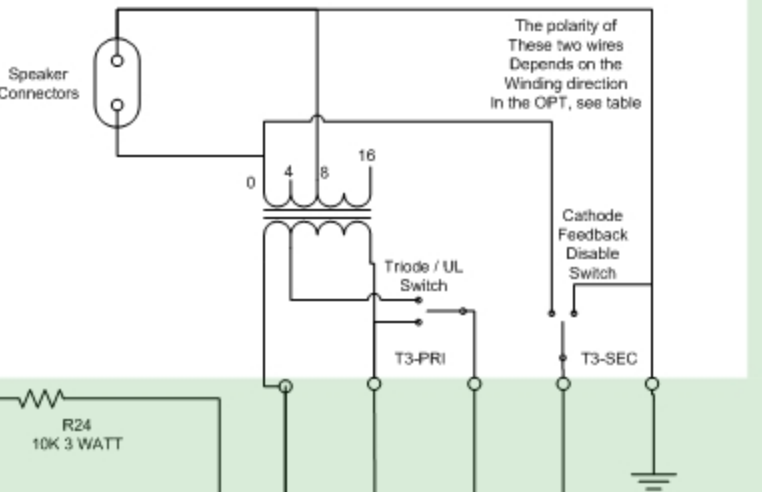
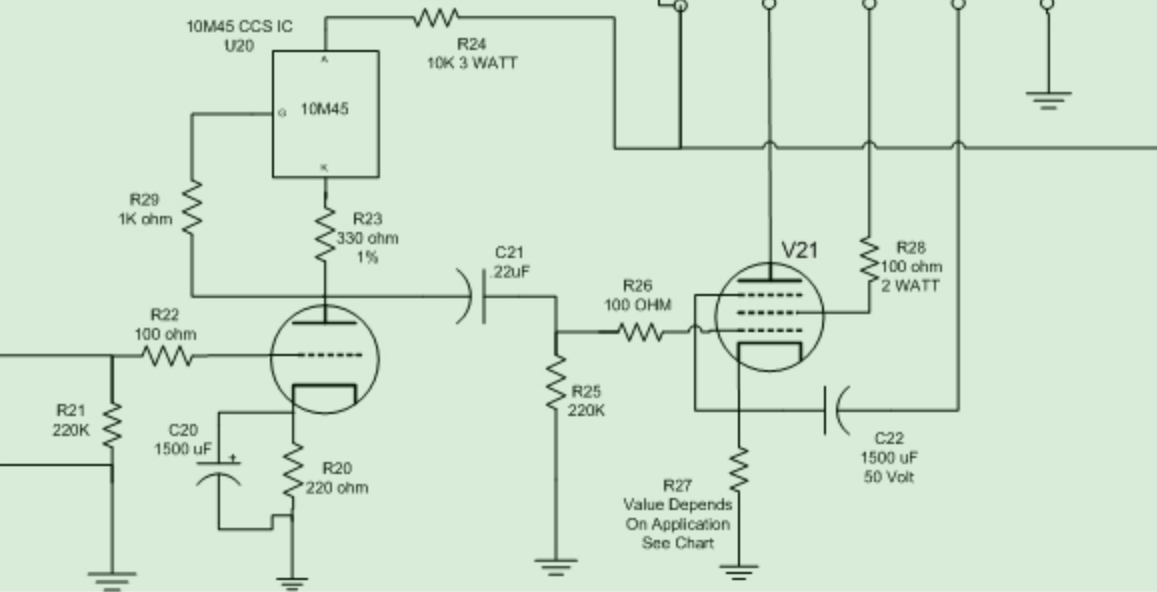
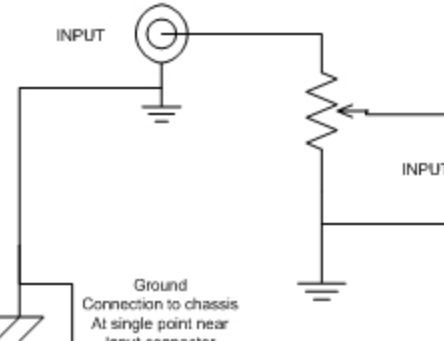


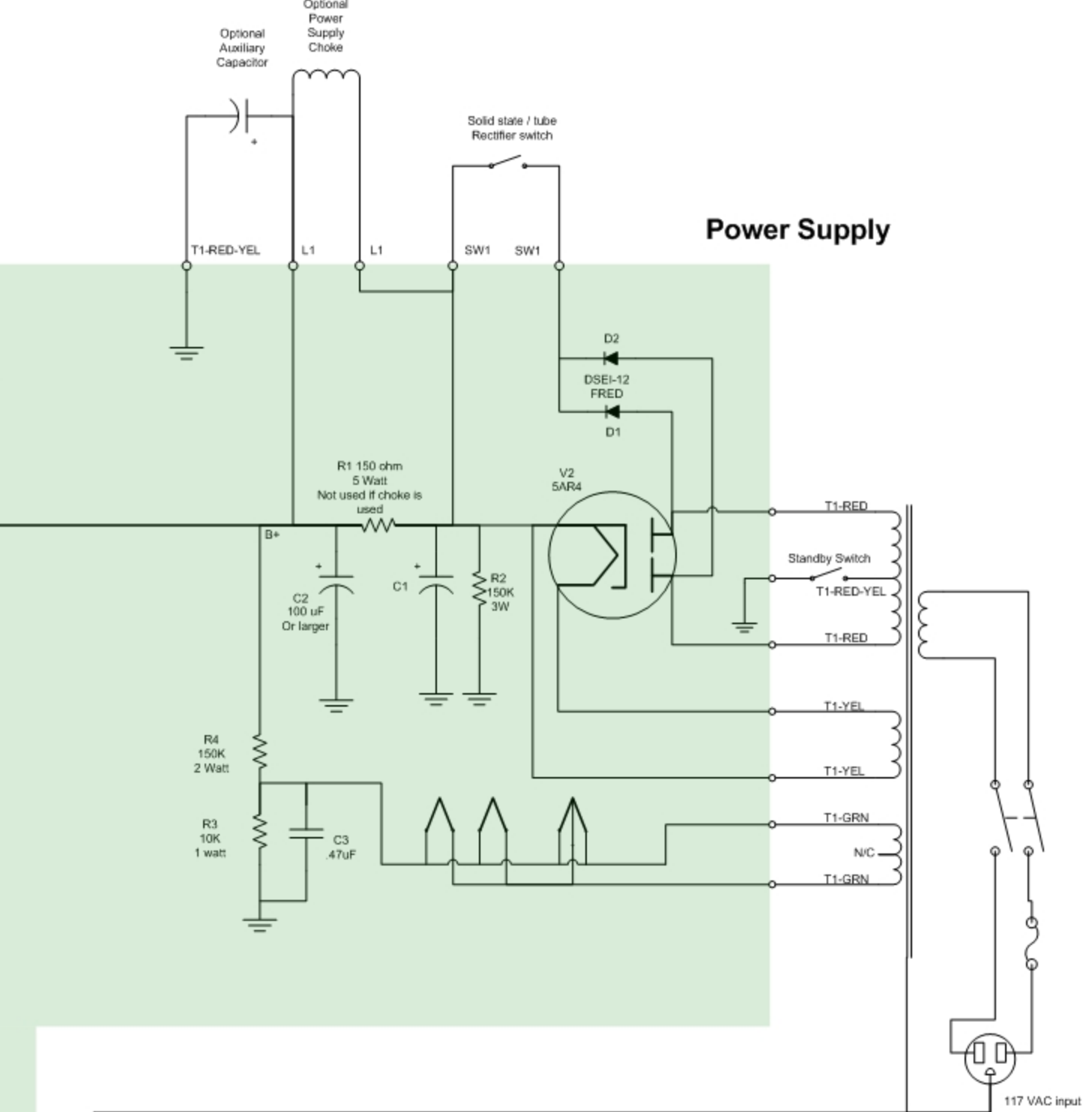
Right Channel Amp



Left Channel Amp



Power Supply



Green Shaded circuitry is all on the PC board

Unshaded Circuitry is external to the PC board

Not all features are used in all amplifiers

Tubelab Simple SE Amplifier Design